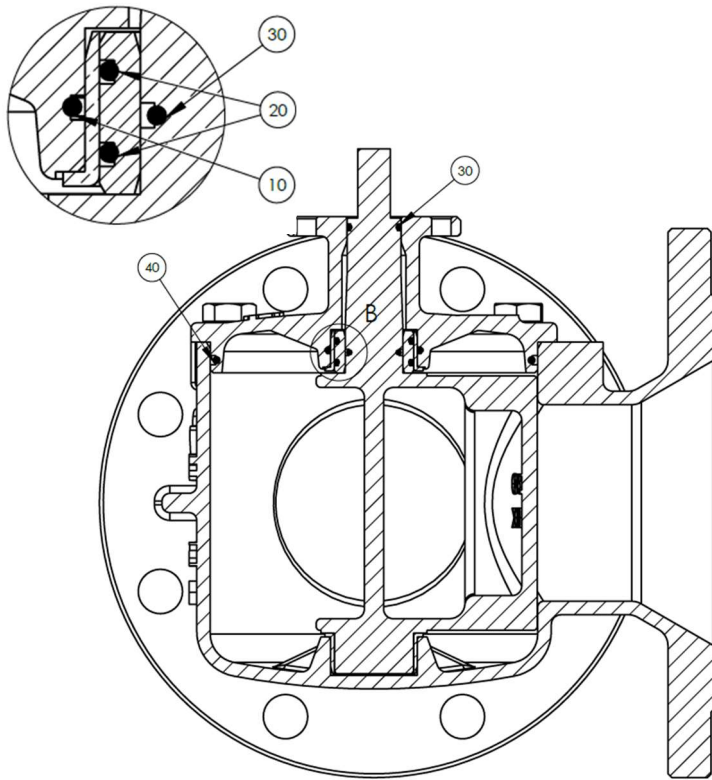


**SPARE PARTS FOR 3 WAY CONTROL VALVE G3FMT-SL
(STANDARD FLOW) - PACKING SET**

Nodular cast iron, PN10, DN300 - 400 mm (R/L CLASS - I)



S-2.6.16-2A



POS.	DESCRIPTION	PCS
10	O-RING Ø60x3	1
20	O-RING Ø48x3	2
30	O-RING Ø38x3	2
40	O-RING FOR COVER	1

PACKING SET FOR G3FMT - SL (R/L) CLASS I		
POS.	DESCRIPTION	ORDER NO.
10 - 40	DN300 - G3FMT-SL	1-2991589
10 - 40	DN350 - G3FMT-SL	1-2991590
10 - 40	DN400 - G3FMT-SL	1-2991591

To be read with data sheet 0-2.6.16