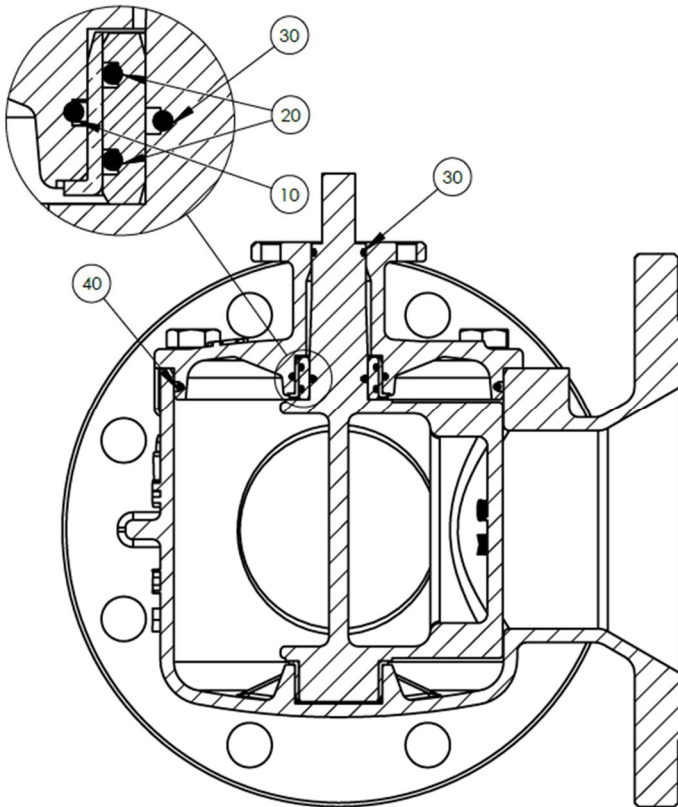


**SPARE PART FOR 3 WAY CONTROL VALVE G3FMT-SL
(STANDARD FLOW) - PACKING SET**
Nodular cast iron, PN10, DN100 - 250 mm (R/L/M CLASS - I)



S-2.6.16-1A



POS.	DESCRIPTION	PCS
10	O-RING Ø46x2.5	1
20	O-RING Ø36x2.5	2
30	O-RING Ø23x2.5	2
40	O-RING FOR COVER	1

PACKING SET FOR G3FMT - SL (R/L/M) CLASS I		
POS.	DESCRIPTION	ORDER NO.
10 - 40	DN100 - G3FMT-SL	1-2991584
10 - 40	DN125 - G3FMT-SL	1-2991584
10 - 40	DN150 - G3FMT-SL	1-2991582
10 - 40	DN200 - G3FMT-SL	1-2991578
10 - 40	DN250 - G3FMT-SL	1-2991580

To be read with data sheet 0-2.6.16