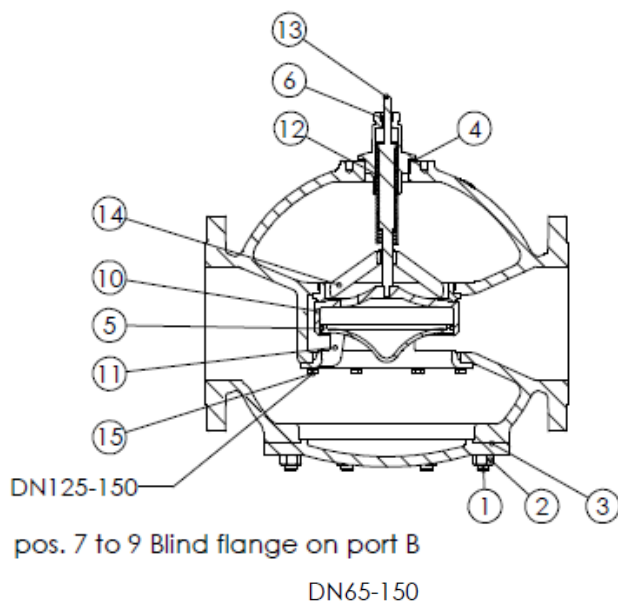


L2F SPARE PARTS

2-way Control Valves

Gun Metal, PN 10, DN 65-150 mm

S-2.2.05.01-A



Pos. Component

1	Stud bolt
2	Nut
3	Gasket
4	Gasket
5	O-ring
6	O-ring
7	Gasket of blind flange
8	Nut of blind flange
9	Screw of blind flange
10	Cone
11	Lower seat
12	Spring
13	Spindle
14	Upper seat
15	Screw

Packing set	Pos.	Valve	Item No.
components pos.	1 to 9	65 L2F	1-2990240
	1 to 9	80 L2F	1-2990241
	1 to 9	100 L2F	1-2990242
	1 to 9	125 L2F	1-2990243
	1 to 9	150 L2F	1-2990244
Trim set	Pos.	Valve	Item No.
components pos.	1 to 13	65 L2F	1-2990246
	1 to 14	80 L2F	1-2990247
	1 to 14	100 L2F	1-2990248
	1 to 15	125 L2F	1-2990249
	1 to 15	150 L2F	1-2990250