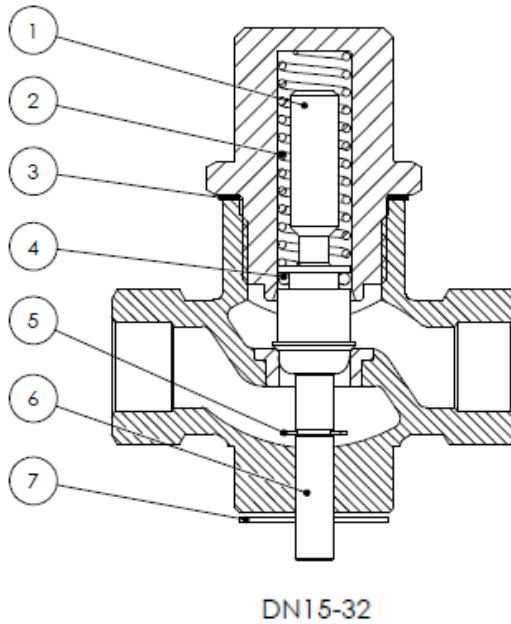


L1SBR SPARE PARTS

Balanced 2-way Control Valves
Gun Metal, PN 16, DN 15-32 mm, Reverse acting

S-2.2.04.01-A



Pos.	Component
1	Cone
2	Spring
3	Gasket
4	O-ring
5	Locking ring
6	Spindle
7	Gasket

Packing set	Pos.	Valve	Item No.
components pos.	1 to 7	15 L1SBR	1-2990125
	1 to 7	20 L1SBR	1-2990126
	1 to 7	25 L1SBR	1-2990127
	1 to 7	32 L1SBR	1-2990128