

2-way Control Valve type S2FM-T

Stainless Steel, PN25, DN 65 – 125 mm / PN16, DN150 - 300 mm / PN10, DN 350 - 800 mm

O-2.7.04-B

Page 1 of 4



APPLICATIONS

Control valve type S2FM-T is a three-way control valve with blocked port making a two-way control valve. The slide for quarter turn operation designed for regulating of fresh water, lubricating oil and other liquid media. The valves are designed for use in conjunction with industrial processes, district heating and marine installations with large water or lubricating oil quantities. The valves are designed for use in conjunction with valve motor type CAR with handle for manual operation or for use in conjunction with a pneumatic actuator.

DESIGN

The valve body and the valve slide are made of stainless steel AISI316. The valve flanges are drilled according to EN 1092-2. Optional: ANSI, JIS and Grooved Victalic Joints.

FUNCTION

The slide is firmly connected with the motor spindle. When the slide is in the one extreme position by turning the spindle, connection A-AB is kept fully open. In the other extreme position the valve is fully closed. In the intermediate positions the opening degrees change proportionally. The valve has a small tolerance between body and slide. To minimize the leakage an O-ring is mounted in a groove on the slide.

TECHNICAL DATA

Materials:	
- Valve body, slide	Stainless steel - AISI316 (option DUPLEX)
- O-ring	A75H
- U-ring	PTFE
Nominal pressure:	
- 65-125 S2FM-T	PN 25
- 150-300 S2FM-T	PN 16
- 350-600 S2FM-T	PN 10
Flow characteristic	Almost linear
Leakage rate	Max. 0.5%
Regulating capability	Kvs/Kvr > 25
Flanges	EN 1092-2 PN 10/16

Counter flanges (suggested):

DIN 2632 – PN 10
DIN 2633 – PN 16

Max. pressure Δp_L , against which the valve can close:

- DN 65 - 125	25 bar
- DN 150-300	16 bar
- DN 350-800	10 bar

Nominal pressure

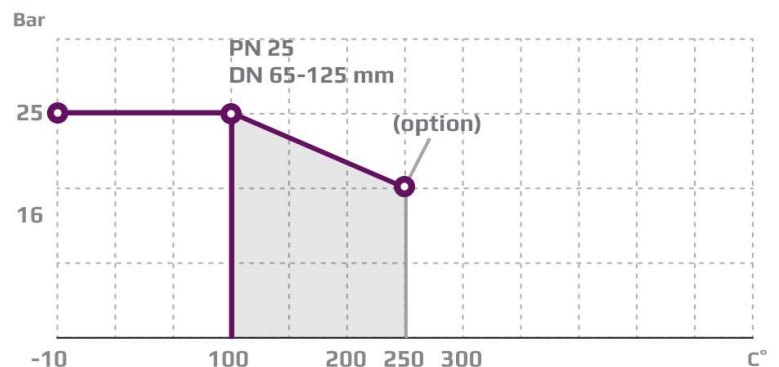
- DN 65-125:	PN 25, max. 100 °C (optional 250°C)
- DN 150-300:	PN 16, max. 100 °C (optional 250°C)
- DN 350-800:	PN 10, max. 100 °C (optional 250°C)

FEATURES

- Simple design secures reliable controls and reduces costly downtime.
- Low leakage rate secures energy savings and avoids overheating.
- Corrosion resistance

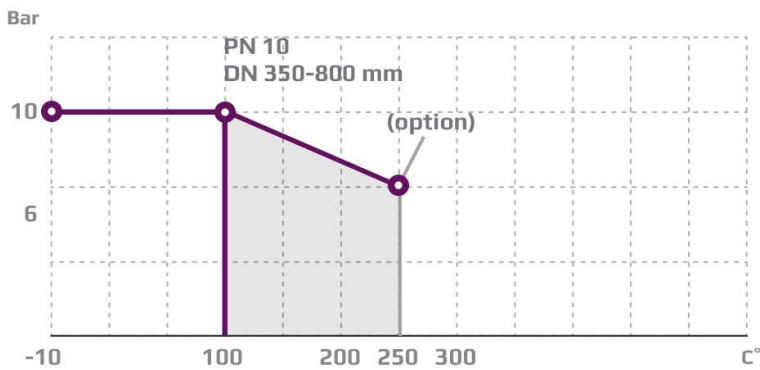
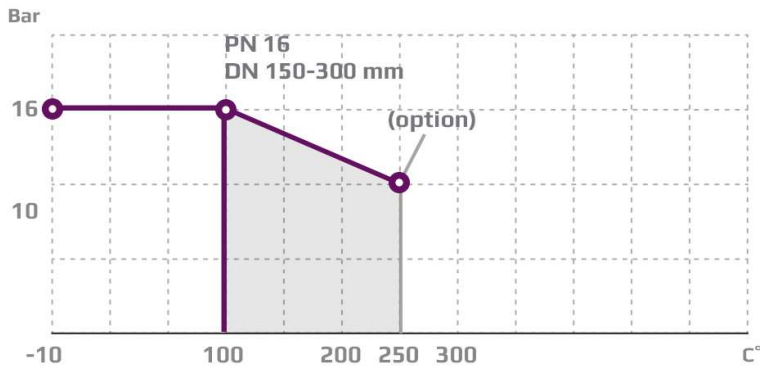
PRESSURE/TEMPERATURE DIAGRAM

According to DIN 2401

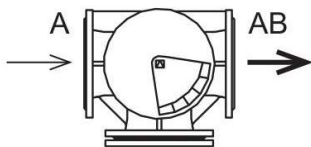


PRESSURE/TEMPERATURE DIAGRAM

According to DIN 2401



PORT NUMBERING



MOUNTING

The valve connections are marked A and AB. Check slide position before installation in the pipe. The slide position is marked on the top of the shaft. The valves can be installed with vertical as well as horizontal spindles. The valves must be mounted in a way that the valve actuator will be exposed to a minimum of moisture and unnecessary vibrations.

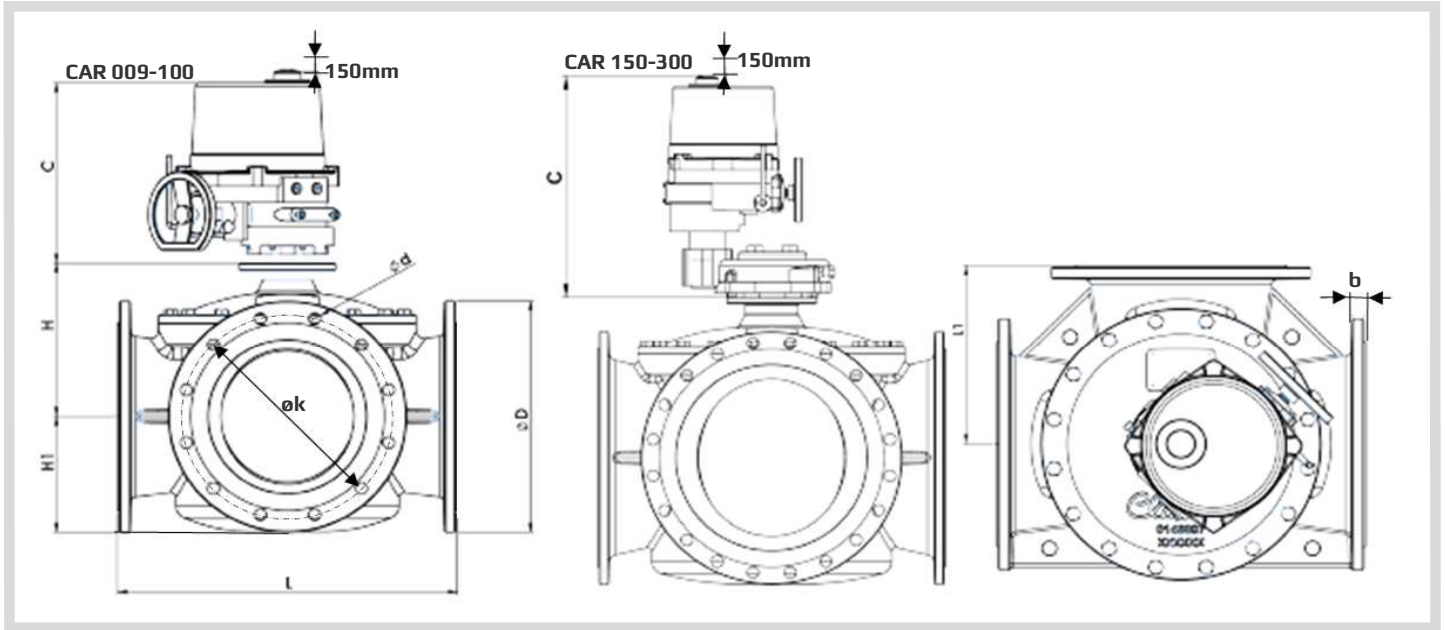
2-way Control Valve type S2FM-T

Stainless Steel, PN25, DN 65 – 125 mm / PN16, DN150 - 300 mm / PN10, DN 350 - 800 mm

O-2.7.04-B

Page 3 of 4

DIMENSION SKETCH



Type	L (mm)	L1 (mm)	H (mm)	H1 (mm)	b (mm)	C (mm)	EN 1092-2			ANSI Class 150			JIS B 2210 5K			JIS B 2210 10K		
							D (dia.) (mm)	k (dia.) (mm)	d mm dia. (number)	D (dia.) (mm)	k (dia.) (mm)	d mm dia. (number)	D (dia.) (mm)	k (dia.) (mm)	d mm dia. (number)	D (dia.) (mm)	k (dia.) (mm)	d mm dia. (number)
65 G3FM-TR	292	146	135	92	19	273	185	145	19x(8)	180	140	19x(4)	155	130	15x(4)	175	140	19x(4)
80 G3FM-TR	292	146	140	94	20	273	200	160	19x(8)	190	152	19x(4)	180	145	19x(4)	185	150	19x(8)
100 G3FM-TR	350	175	158	112	17	273	235	190	23x(8)	230	190.9	19x(8)	200	165	19x(8)	210	175	19x(8)
125 G3FM-TR	400	200	179	123	19	273	270	220	28x(8)	255	216	22x(8)	235	200	19x(8)	250	210	23x(8)
150 G3FM-TR	437	218.5	196	139	19	276	285	240	23x(8)	280	241	22x(8)	265	230	19x(8)	280	240	23x(8)
200 G3FM-TR	530	265	232	169	20	361	340	295	23x(12)	343	299	23x(8)	320	280	23x(8)	320	290	23x(12)
250 G3FM-TR	592	296	272	199	22	361	400	355	28x(12)	407	362	26x(12)	385	345	23x(12)	400	355	25x(12)
300 G3FM-TR	649	324.5	302	227	25	361	455	410	28x(12)	483	432	26x(12)	430	390	23x(12)	445	400	25x(16)
350 G3FM-TR	717	358.5	334.5	251.5	25	361	505	460	23x(16)	534	477	29x(12)	480	435	25x(12)	490	445	25x(16)
400 G3FM-TR	770	385	370	282	25	361	565	515	28x(16)	597	540	29x(16)	540	495	25x(16)	560	510	27x(16)
450 G3FM-TR	820	410	391	307	26	556	615	565	28x(20)	635	578	32x(16)	605	555	25x(16)	620	565	27x(20)
500 G3FM-TR	900	450	421	335	27	556	670	620	28x(20)	699	635	32x(20)	655	605	25x(20)	675	620	27x(20)
550 G3FM-TR	900	450	421	335	27	556	-	-	-	-	-	-	720	665	27x(20)	745	680	33x(20)
600 G3FM-TR	918	459	470	354	31	556	780	725	31x(20)	813	750	35x(20)	770	715	25x(20)	795	730	33x(24)
650 G3FM-TR	1050	525	534	426	37	556	-	-	-	-	-	-	825	770	27x(24)	845	780	33x(24)
800 G3FM-TR	1230	615	596	461	53	556	1085	990	34x(24) 50x(24) PN25	-	-	-	995	930	33x(24)	1020	950	33x(28)

SPECIFICATIONS

Type	Flange connection DN in mm	k_{vs} -value m ³ /h	Torque Nm for inlet P*	Weight kg
65 S2FM-T	65	120	60	37
80 S2FM-T	80	154	65	41
100 S2FM-T	100	220	120	56
125 S2FM-T	125	330	200	73
150 S2FM-T	150	425	200	84
200 S2FM-T	200	1100	330	153
250 S2FM-T	250	2100	525	215
300 S2FM-T	300	2650	730	277
350 S2FM-T	350	3380	980	340
400 S2FM-T	400	3950	1370	459
450 S2FM-T	450	4480	1550	579
500 S2FM-T	500	5250	1920	744
550 S2FM-T	550	5250	1920	1090
600 S2FM-T	600	6050	2950	TBC
800 S2FM-T	800	8000	4000	2100

*Torque calculated at max inlet P for:
 DN 65 - 125 = 25 Bar
 DN 150-300 - 16 Bar
 DN 350-800 - 10 Bar