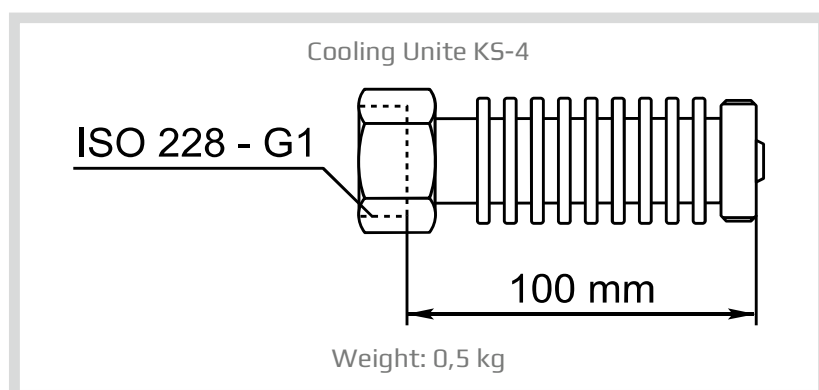


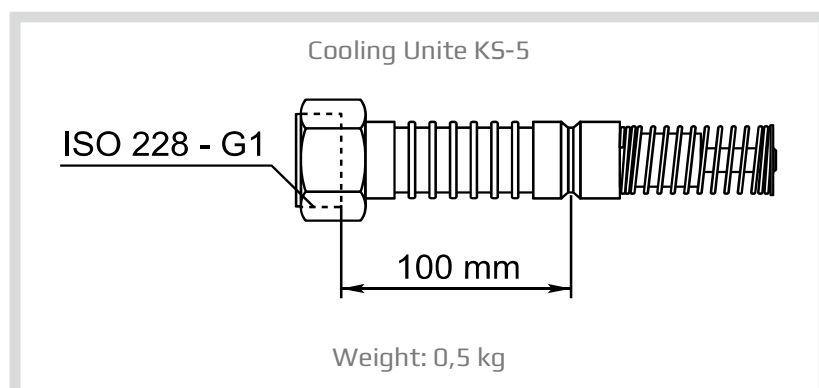
TYPE KS-4

Cooling unit protecting the stuffing box of the thermostat. To be applied at valve temperatures between 170°C and 250°C. For higher temperatures please see type KS-5.



TYPE KS-5

Cooling unit with a built-in bellow gland, replacing the stuffing box of the thermostat. To be applied at valve temperatures between 250°C and 350°C.



MANUAL ADJUSTING DEVICE

The device has a built-in thermostat stuffing box. For sealing and manual operation of valves when an actuator has not been fitted, e.g. during periods of construction (max. 170°C).

