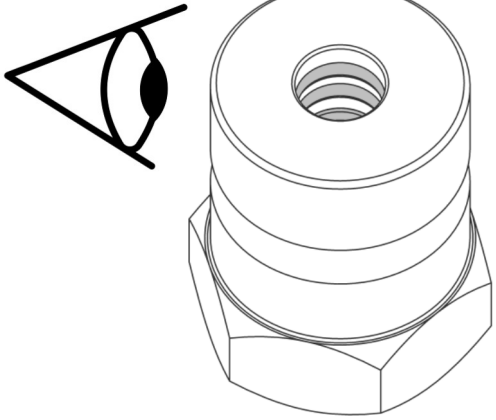
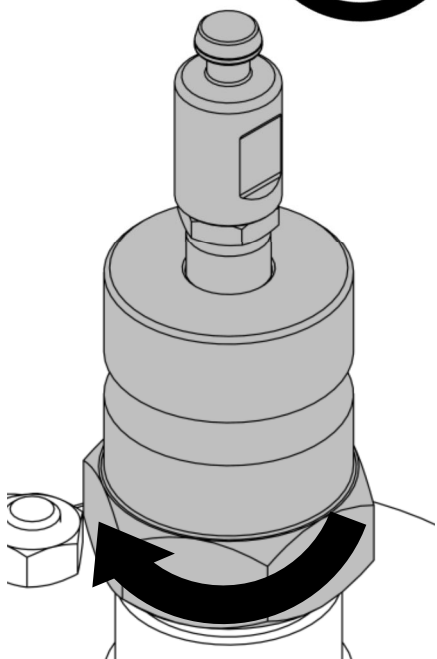
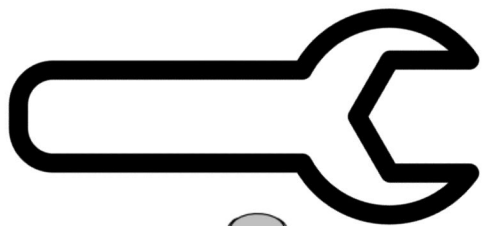
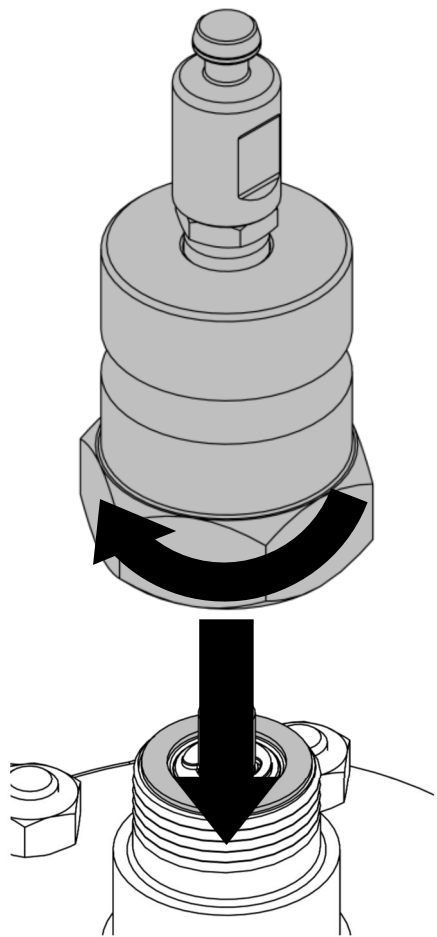


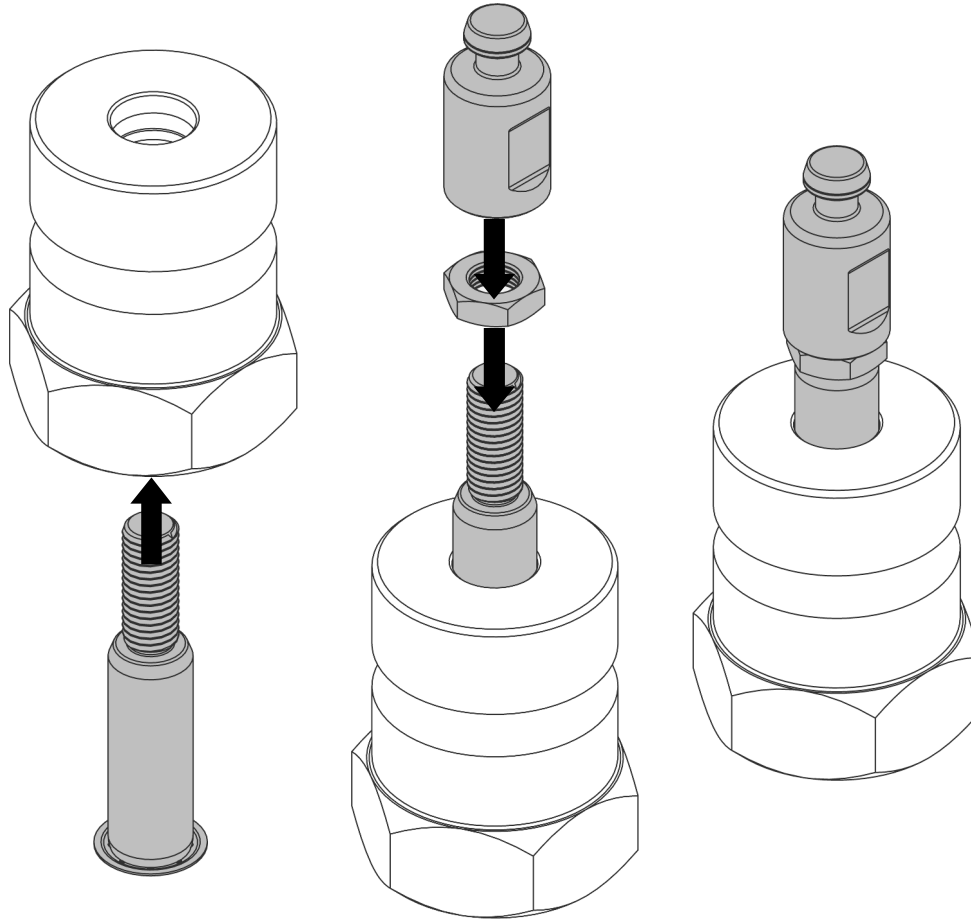
- 1.1** Check that the three circumference sealings (two O-rings and u-ring) inside the large adaptor nut are present.



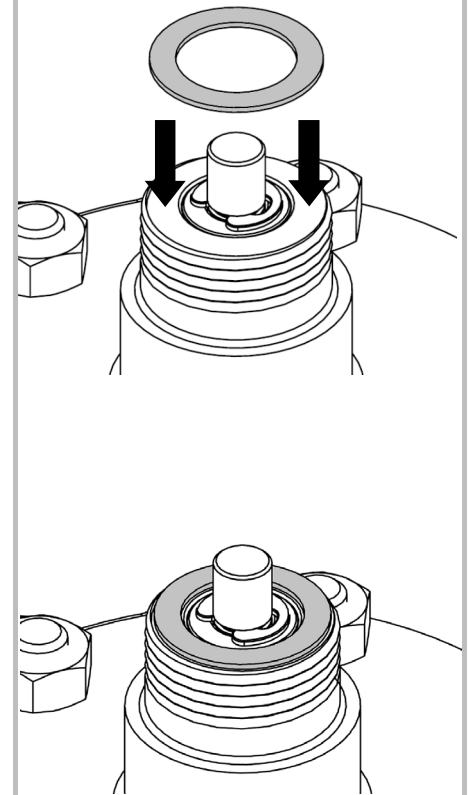
- 1.4** Screw the adaptor nut onto the valve, use a 36mm spanner to tighten it with a torque of 30Nm. Then press until the adaptor spindle has contacted the top of the valve spindle.



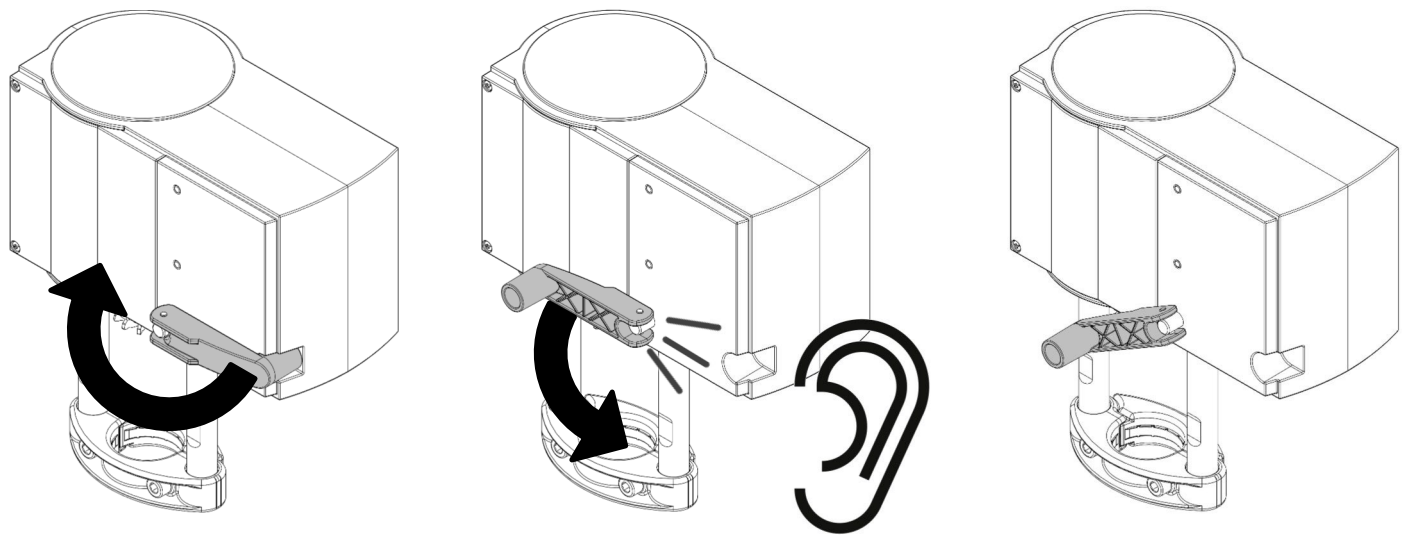
- 1.2** Place the adaptor spindle inside the adaptor nut, then screw the small nut on the adaptor spindle as far as it can go and lastly screw the adaptor top on the adaptor spindle as far as it can go.



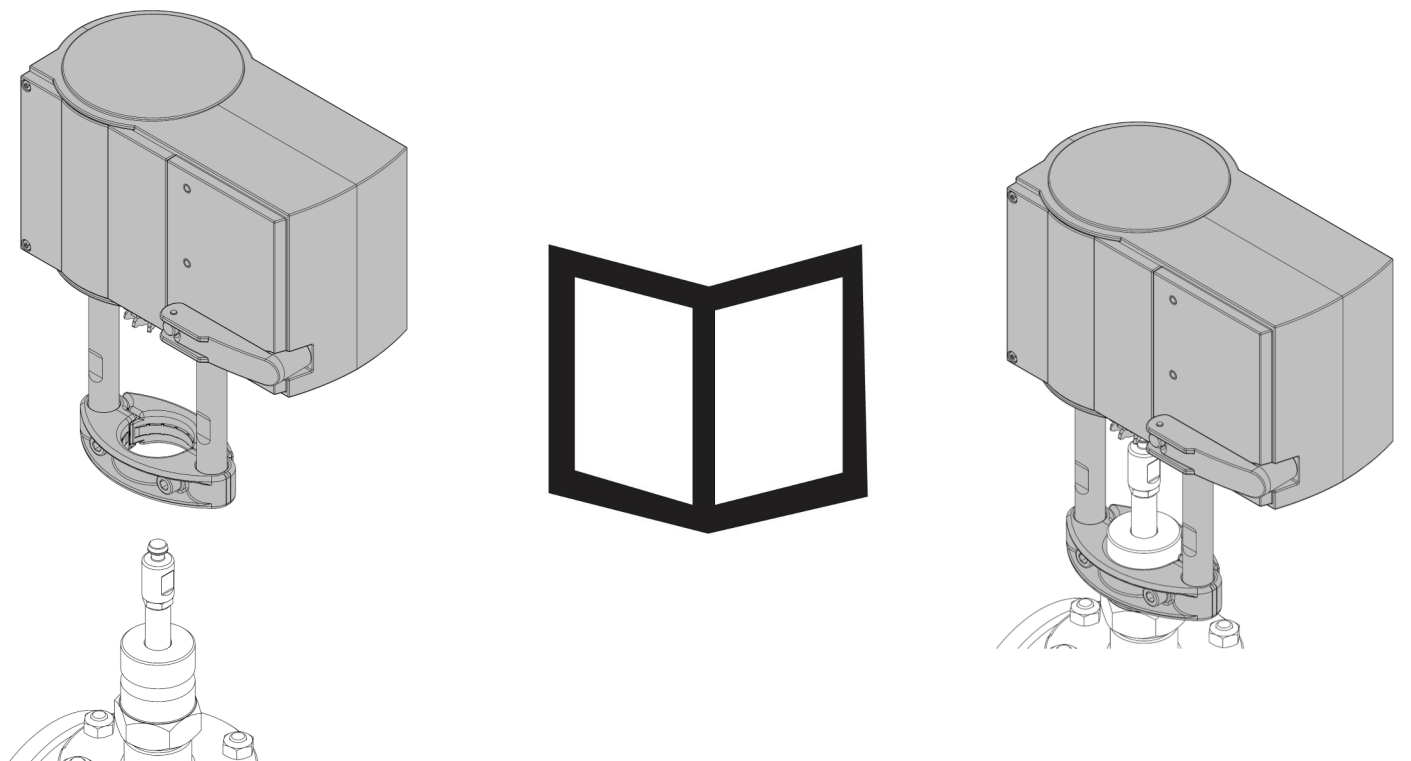
- 1.3** Place the flat sealing (PTFE disc) on the top of the valve around the valve stem.



- 1.5** Before mounting the actuator, make sure that the actuator spindle is retracted as much as possible, however be sure not to use excessive force. Flip the handle to activate it, then slowly turn it counterclockwise until you hear a loud click indicating that the actuator spindle is fully retracted. Continue to turn the handle slowly counterclockwise (while the clicks continue) until it reaches the initial position, then flip it back in place to deactivate it.

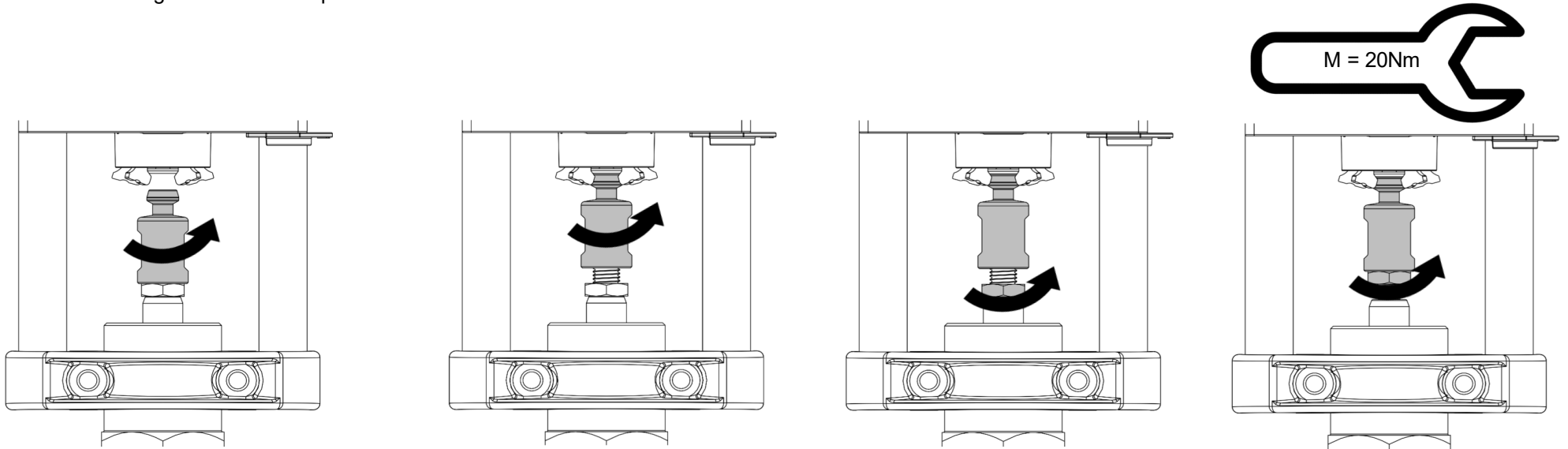


- 1.6** Depending on temperature – in case of high temperature – use instruction for 1-0152285 before mounting actuator!
Mount the actuator according to step 1-2.3 of the installation instruction for the actuator.
Do not yet power up the actuator!



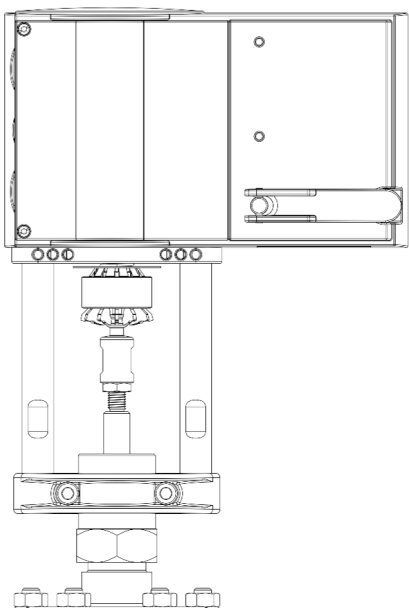
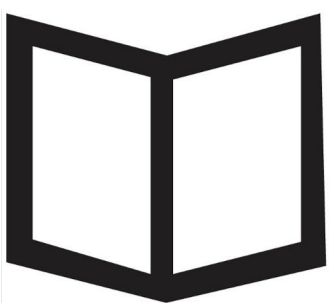
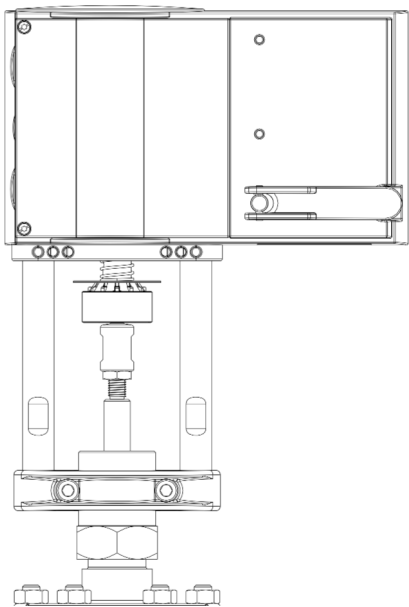
1.7

Make sure, that the connector on the actuator is open as seen on the pictures below, and in the topmost position as seen in step 1.5. Turn the adaptor spindle top until it reaches the actuator. If the valve is direct acting (actuator is on the same side of the valve as the cover), then turn the adaptor spindle top 6 more turns, regardless of whether the connector on the actuator snaps onto the adaptor spindle top or not. If the valve is reverse acting (actuator is on the cover), then turn the adaptor spindle top 5 more turns, regardless of whether the connector on the actuator snaps onto the adaptor until it reaches the spindle top and tighten it with a torque of 20Nm.



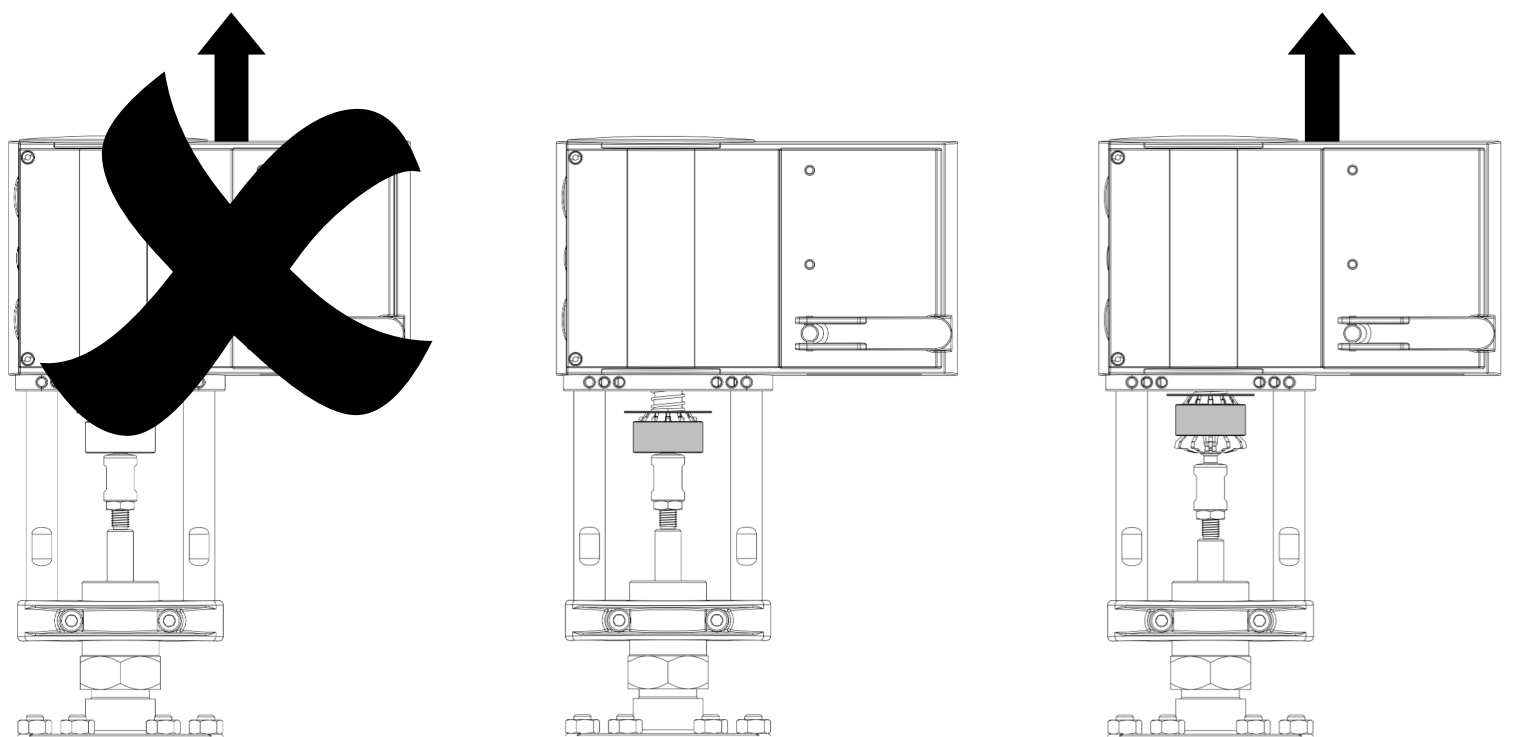
1.8

Mount and wire the actuator according to step 2.4-7 of the installation instruction for the actuator.



2.1

Before demounting the actuator, please release the actuator's grip on the adaptor spindle!



3.1

Before demounting the adaptor, it is important to firstly close-off the inlet and secondly the outlet to the valve!!!

