

# Pneumatic actuators type RC200-DA

## Double acting, For 3-way valves type G3FM-T

6.5.12-A

GB-1

The actuators are made under strict quality control and comply with all standard international requirements.

RC pneumatic actuators are CE-marked according to PED and ATEX.

RC actuators have low weight and small external dimensions for their torque output.

Actuators use less stroke volume than equivalent rack and pinion actuators.

RC-M1 manual override unit is integrated in the end cap of the RC200 actuator, optionally.

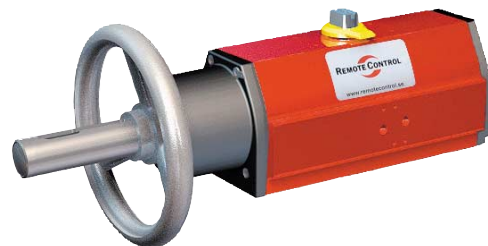
Simple, robust design and easy assembly.

### Mounting

For mounting and starting up, the instructions delivered with the actuator must be followed carefully.



RC200-DA



RC200-DA with manual override unit RC-M1

### Technical Data

#### Materials:

- Body	ASTM 6063 extruded aluminium, 15-20 micron anodized
- Piston	ASTM B179 die-casted aluminium alloy
- End Caps	ASTM 6063 die-casted aluminium, 15-20 micron anodized
- Screws	Stainless steel, AISI 304 (A2)
- Shaft	Stainless steel, AISI 304 (A2) - RC270-280 steel zinc coated
- O-rings	NBR
- Springs	Pre-compressed Cartridges, epoxy painted
- Grease	Calcium complex
Actuat. flange	ISO 5211
Air supply	Dry or lubricated filtered compressed air, non aggressive gases
Temperature	-20 °C to +80 °C (optional: +150 °C)
Feeding pressure	0-10 bar continuous
Rotation range	90° ± 3°

Specifications				
Type	Torque (NM)			Connection
	Feeding pressure 6 bar			
	Position 0°=closed, 90°=open			
	0°	60°	90°	
RC260-DA <sup>1)</sup> RC260-DA M1 <sup>2)</sup>	910	460	650	F12
RC265-DA <sup>1)</sup> RC265-DA M1 <sup>2)</sup>	1296	609	921	F12
RC270-DA <sup>1)</sup> RC270-DA M1 <sup>2)</sup>	1890	940	1360	F14
RC280-DA <sup>1)</sup> RC280-DA M1 <sup>2)</sup>	3800	1900	2740	F16

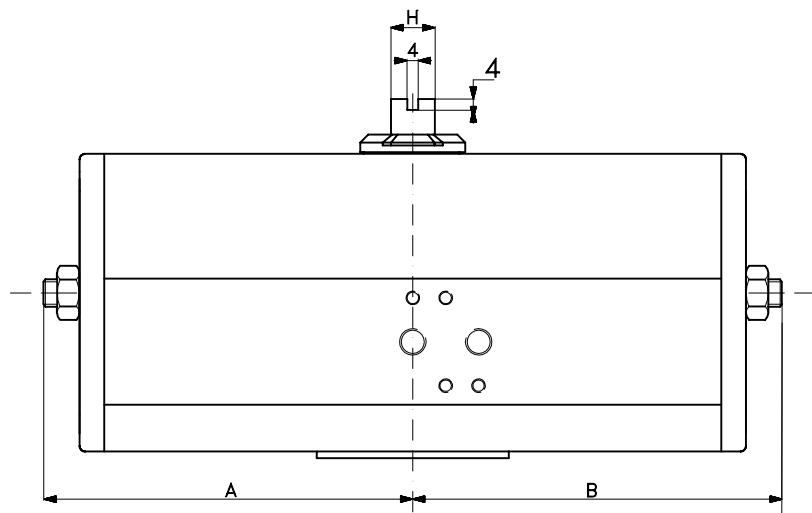
<sup>1)</sup> RC pneumatic actuator without manual override unit.

<sup>2)</sup> RC pneumatic actuator with manual override unit.

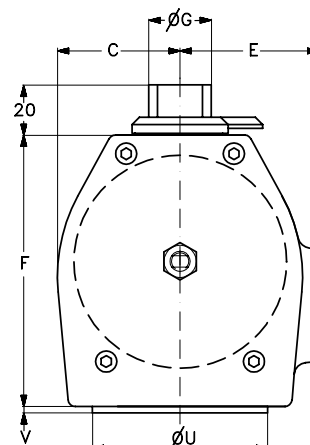
Recommended motor types for G3FM-T valves	
Valve size	Motor type
DN 200	RC260-DA
DN 250	
DN 300	RC265-DA
DN 350	
DN 400	RC270-DA
DN 450	
DN 500	
DN 600	

Subject to changes without notice.

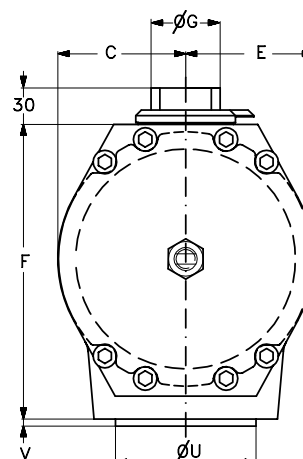
Dimension sketch - RC200-DA



RC260 - 265



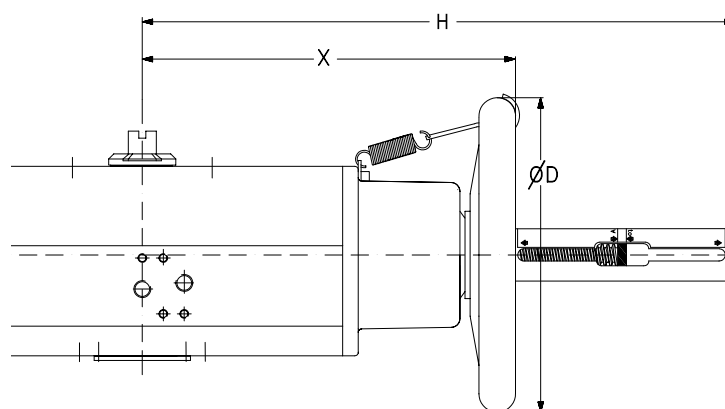
RC270 - 280



Type	A mm	B mm	C mm	E mm	F mm	G mm	U mm	V mm	Weight kg
RC260-DA	190	190	69	75	155	35	85	3	12.5
RC265-DA	195	195	76	76	202	35	85	3	18.8
RC270-DA	145	300	110	110	248	60	100	4	32.0
RC280-DA	300	300	110	110	248	60	130	5	42.0

Dimension sketch - RC200-DA M1

RC pneumatic actuators with manual override unit



Type	D mm	H mm	X mm	Weight kg
RC260-DA M1	320	505	295	16.3
RC265-DA M1	320	600	370	24.3
RC270-DA M1	400	812	515	47
RC280-DA M1	600	812	490	55.1

Subject to changes without notice.