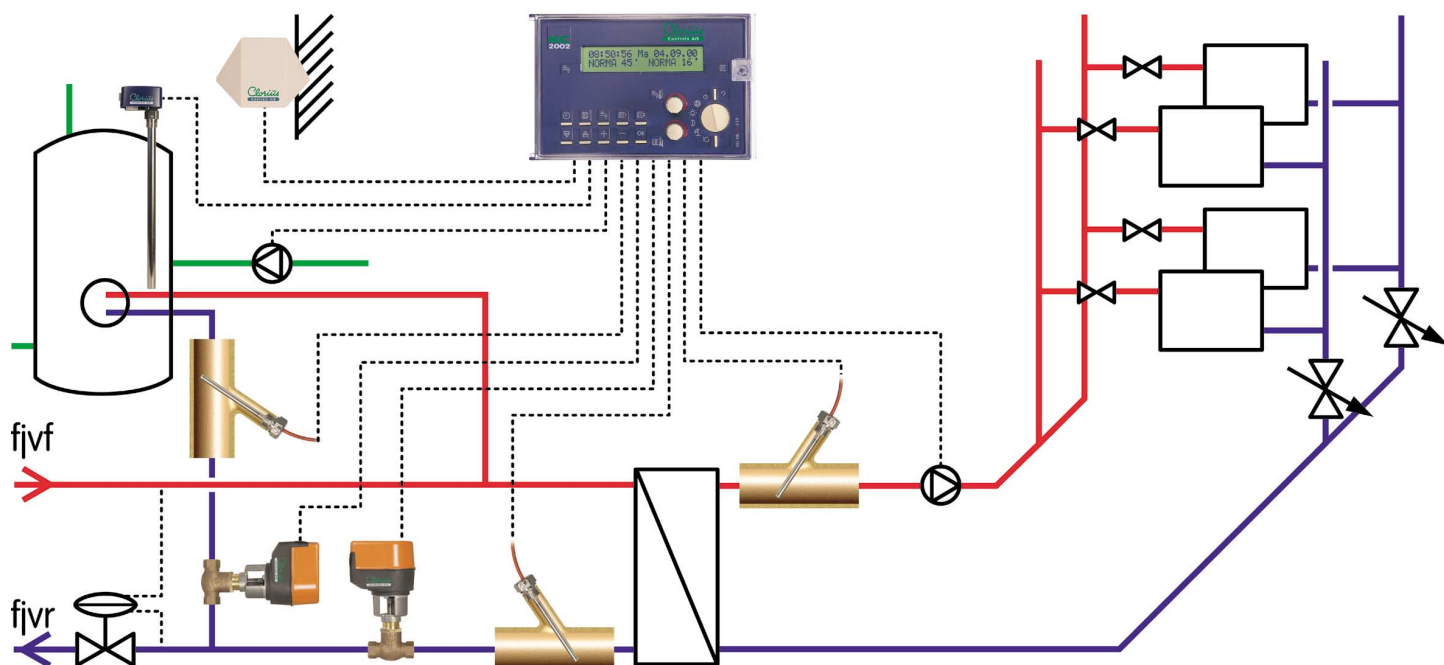




# Clorius Klimastat Control set

**Complete solution for heating og domestic water control  
– simple and economical**

The majority of district heating systems resemble each other so much that optimal control can be achieved by almost similar control systems. Only some adjustments and an individual pre-programming of the controller are needed. From Clorius Controls you can get - at very competitive prices - simple and effectiv control set for the common type district heating systems.



## The control sets consist of:

- Clorius KC 2002 controller  
– will be delivered pre-programmed
- Temperature sensors
- Outdoor sensors
- Motor valves
- Pressure differential controller
- Balancing valves

On the reverse side you can choose among the schemes the type of installation you need a control set for. You can state some additional information, which will enable us to size the valves and to deliver a controller correctly pre-programmed.

Send your order or enquiry directly to Clorius Controls.

We ensure quick delivery or an offer for you. Easy and simple.

**Clorius**  
Controls A/S

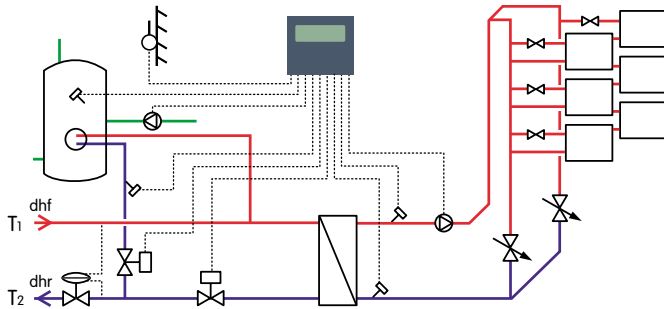
Clorius Controls A/S  
Tempovej 27  
DK-2750 Ballerup  
Denmark  
Tlf.: +45 77 32 31 30  
Fax: +45 77 32 31 31  
[www.cloriuscontrols.com](http://www.cloriuscontrols.com)

# Order or enquiry

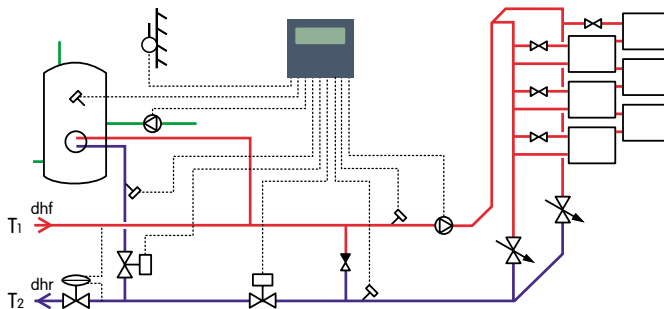
- Order  
 Enquiry

## Select installation scheme

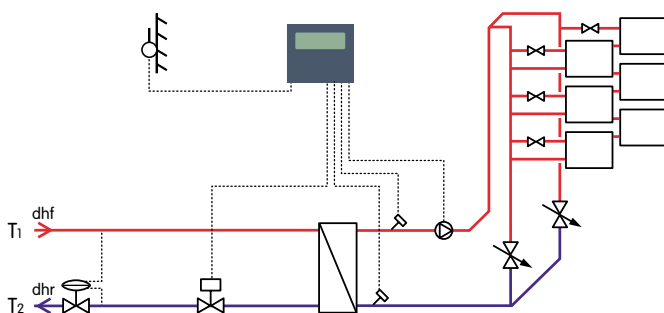
- Scheme 1  
 District heating system with exchanger/heating circuit and domestic water circuit



- Scheme 2  
 District heating system directly connected to heating circuit and domestic water circuit



- Scheme 3  
 District heating system with exchanger/heating circuit



## District heating temperatures

Flow temperature of the district heating,  $T_1$  \_\_\_\_\_ °C

Appointed return temperature of the installation,

$T_2$  \_\_\_\_\_ °C

## Energy consumption

State either:

Appointed energy consumption of the installation:

Heating circuit \_\_\_\_\_ kW

Domestic water circuit \_\_\_\_\_ kW

or:

Total residence area \_\_\_\_\_ m<sup>2</sup>

The hot-water tank's max. effect \_\_\_\_\_ kW

Sizing basis for calculation of valves:

Heating circuit: 80 W/m<sup>2</sup>,  $\Delta t = 40$  °C,  $\Delta p = 0,1$  bar (10 kPa)

Domestic water circuit:  $\Delta t = 40$  °C,  $\Delta p = 0,1$  bar (10 kPa)

Contact Clorius Controls, if another sizing basis should be used.

## Extra accessories

Deliver pressure differential controller

Yes

No

Deliver balancing valves, dimension DN

Yes, number of circuits \_\_\_\_\_ pcs.

No

## Optimization

The system will be delivered pre-programmed and ready to start.

Do you want optimization after start by one service engineer from Clorius Controls ?

Yes

No

Plumber: \_\_\_\_\_

Date: \_\_\_\_\_

Firm: \_\_\_\_\_

Name: \_\_\_\_\_

Address: \_\_\_\_\_

Post number/City: \_\_\_\_\_

Telephone: \_\_\_\_\_

Fax: \_\_\_\_\_

Delivery address: \_\_\_\_\_

Preferred time for delivery: \_\_\_\_\_

Merchant: \_\_\_\_\_

**Clorius**  
 Controls A/S

Send or fax your  
 order/enquiry to:

Clorius Controls A/S  
 Tempovej 27  
 DK-2750 Ballerup  
 Fax 77 32 31 31