

Clorius KC 2002 Weather compensated temperature control



Clorius
Controls A/S

- ensures reliable
control of heating, cooling
and ventilation systems.

Flexible heat control



Clorius KC 2002 is an efficient controller with many possibilities of use for institutions, schools, apartment buildings etc. The controller can be used in boiler or district heating systems with two heating circuits or one heating circuit and one domestic water circuit. Furthermore the controller can control a sun heating circuit for hot water production. The controller is easy to operate as a stand-alone-unit, and Clorius KC 2002 is also efficient as a sub-station in larger centrally controlled plants. Using Clorius KC 2002 you obtain good control and easy operation for a small investment.



Knobs for regulating domestic water and heating circuits

Easy operation

Operation and regulation is simple, since the menu controls all functions, and settings are shown in clear text in the display. Many pre-set system layouts make start-up easier. Separate control buttons guard against faulty controlling in everyday regulation. The separate control buttons are provided for domestic water and heating circuits. Using the buttons, the temperature can be regulated outside the fixed programmes. This means that the basic settings of the system are not disturbed, even though temperature is adjusted on a daily basis.



Knobs for simple adjustment of normal values.



Settings are shown in clear text.



The information button calls up selected parameters.



The domestic water button calls the menu for heating domestic water.

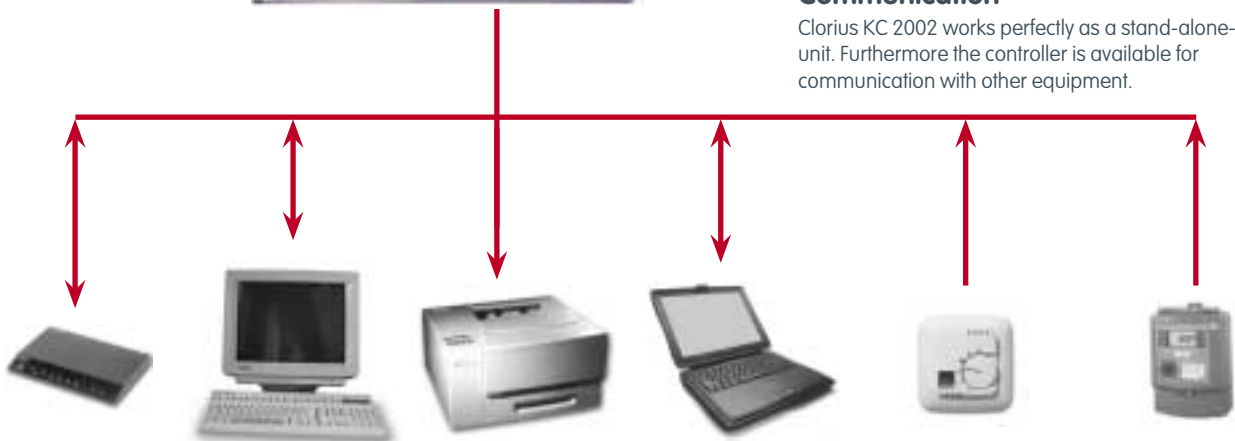


The heat circuit button calls up the menu for prolonging operating hours. This is useful when rooms are in use longer than normal.



Communication

Clorius KC 2002 works perfectly as a stand-alone-unit. Furthermore the controller is available for communication with other equipment.



Remote control, remote monitoring and alarm redirection via RS232/RS485/modem.

Central control and monitoring via the software Clorius EnSys. Further information can be obtained from Clorius Controls.

Service printer for logs, alarms and monitoring via a front placed interface.

Laptop with service software for configuration and backup via a front-placed interface.

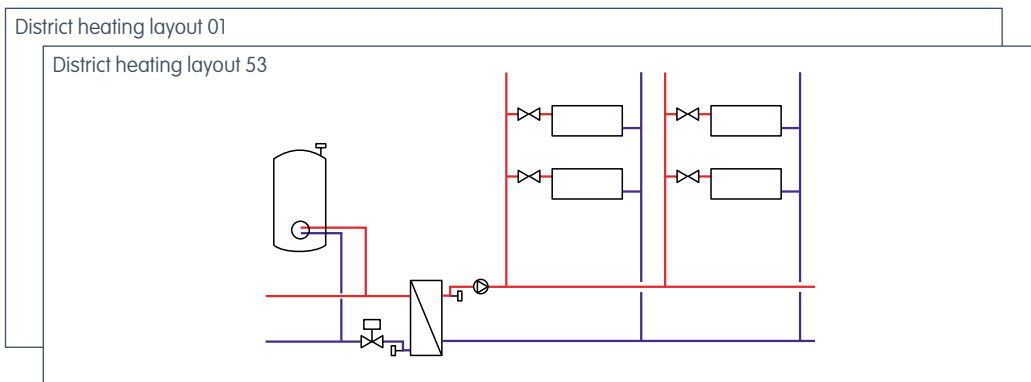
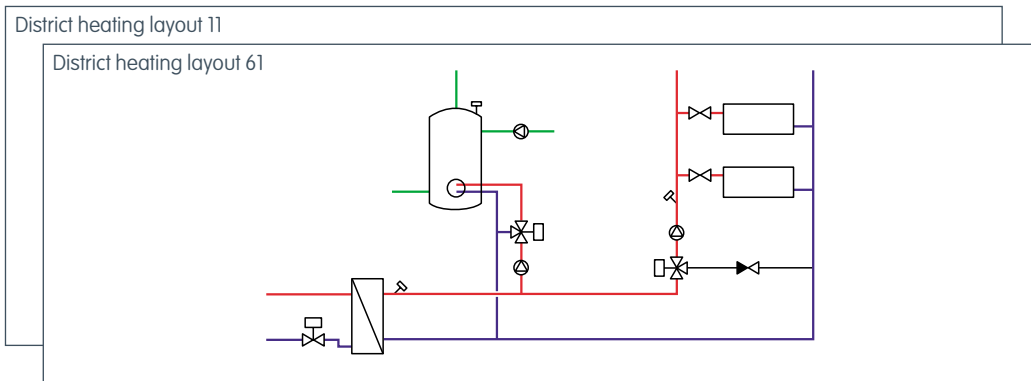
2 KC remote control units for prolonging operating hours and regulating room temperatures.

Heat counter (optional) via M-Bus or impulse entrance for identifying measurements from existing measuring points.

Simple start-up

50 pre-programmed system layouts

Clorius KC 2002 is easy to start up, because the technician can choose to use one of the many pre-programmed system layouts. Simply choose one code for the system type, and the system is running. This means that the system can be started up immediately and will run without problems. A service technician can perform the final adjustments, if you require.



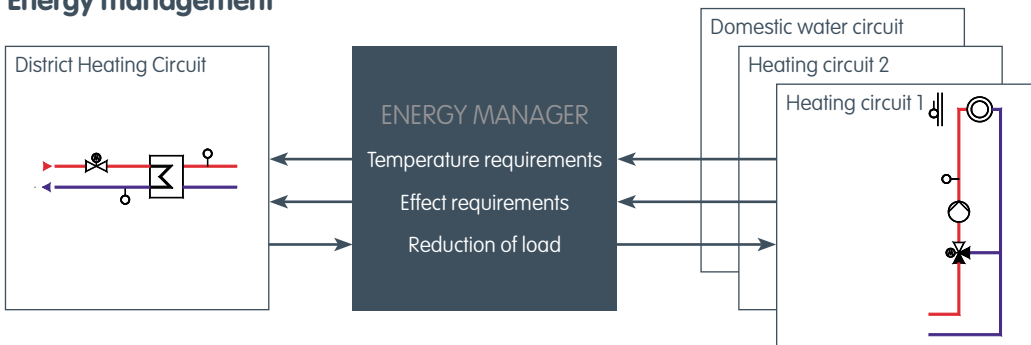
Many functions

- Signals at disturbances in operation, e.g. breach of allowed adjustment limits
 - Hot water priority
 - Year-based clocks, of which one can be used as a free time channel
 - Trend registration
 - Can be mounted on the wall, in a control panel or on a rail
 - Can withstand splashing. Front: IP54
 - Standard cutout in control panel.
- A 138 x 92 DIN 43700

Choice of control

Control type	Sensor inputs	Measuring inputs	Relay outputs 230 V	Transistor outputs 24 VDC	Clocks (year-based clocks)	Pre-exchanger circuits	Boiler circuit	Energy manager	Domestic water circuit	Heating circuits with or without mixing valve	System layouts
94.1K-110	6	1	4		3		1	1	1	1	4
96.1F-110	7	1	6	1	3	1		1	1	1	5
98.1F-110	6	1	8	2	3	1		1	1	1	11
98.1F-120.2	6	1	8	2	4	1		1	1	2	10

Energy management



Clorius KC 2002 has built-in functions to lower energy expenditure and reduce environmental impact.

- Regulation of heat exchanger on the primary side controlled by requirements
- Load reduction
- Reduces loss of energy since loss by idling is minimized on the heat exchanger

Please contact Clorius Controls for further information.

Complete control systems

Clorius Controls offers a complete range of tested and reliable equipment for control of heating, cooling and ventilation systems. The equipment is designed to work in complete systems with the purpose of achieving the highest reliability and saving energy.



Controllers/BMS

Clorius Controls offers a wide range of electronic controllers for heating, cooling and ventilations systems. The controllers are used in residences, institutions and industry. Clorius Controls offers controllers for simple stand-alone solutions or for larger BMS-plants.

Control valves

Clorius valves are simple and reliable for regulation of temperature and pressure differences in heating systems in residences, institutions and industry.



Motors

Clorius Controls offers a large programme of conventional regulation motors and analogue motors. This includes special motors designed to withstand vibrations in a taxing environment.



Balancing valves

With Ballorex balancing valves the amount of water in the individual heating circuits can be balanced and regulated.

Thermostats

Self-acting thermostats from Clorius Controls function directly and are available with sensors for air or liquids. They are also available as safety thermostats for the protection of secondary pipe installations.

Pressure differential controllers

The controllers from Clorius Controls lower large and variable pump pressure to stabilize the flow in the plant. The result is more precise control and less unnecessary expenditure.



Service

Clorius Controls has an international network of service technicians who perform regulation and fault-finding in control of heating and ventilation plants. We are available 24 hours a day, 365 days a year. We offer service contracts including preventive maintenance for all brands of regulating equipment. We are also ready to help in case of urgent problems.



Vendor:

Clorius Controls A/S
Tempovej 27
DK-2750 Ballerup
Denmark
Tel.: +45 77 32 31 30
Fax: +45 77 32 31 31
www.cloriuscontrols.com