

Spacer Concept (Machined and Welded)

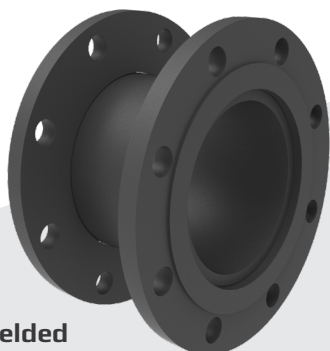
2 & 3 way control valves, DN 100, 125, 150, 200, 250 & 300

0-8.06.11-A

Page 1 of 2



Machined



Welded

TECHNICAL DATA

Material:
- Spacer Steel 1.0570 (S355J2G3)
- Colour Anthracite grey RAL 7016

Flange drilled according to:
- Option EN 1092-2
JIS B 2210 5K/10K
ANSI class 150

Available types:
Machined spacers
Welded spacers

Available sizes:
DN 100 - DN300
DN 350, 400, 450 on request

Used for:
2 & 3 ways control valves

APPLICATIONS

Spacer concept is designed for use together with all types of 2 & 3 ways Clorius control valves.

FUNCTION

Spacers are available as both machined and welded types. Spacers are used to avoid changing the existing pipework and installation when replacing old control valves with new control valves.

DESIGN

Spacers are available in machined design with a distance from. >100mm for DN100 to DN300

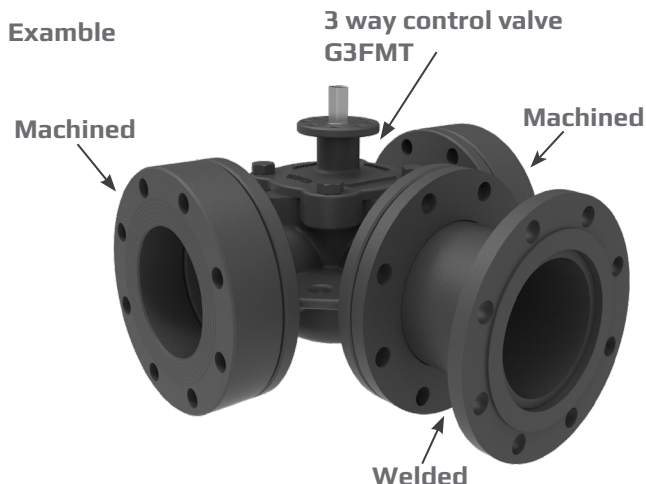
Spacers are available in welded design with a distance from. <100mm for DN100 to DN300

Spacers will be produced after piping & installation specifications.

Flanges are drilled according to the different flange standards. EN 1092-2, JIS 5K/10K & ANSI Class 150

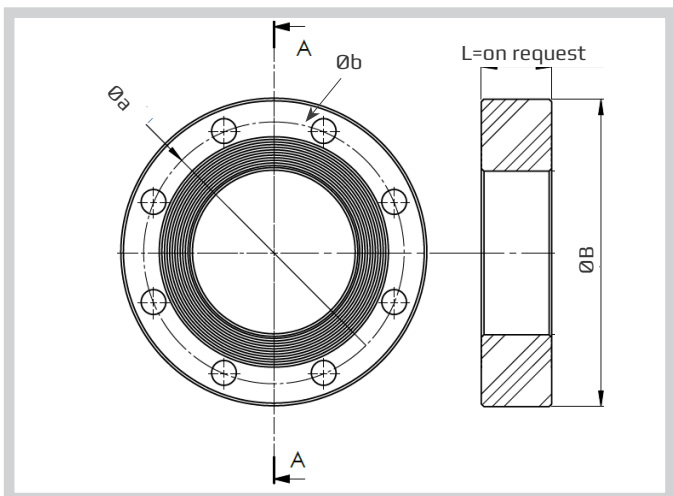
FEATURES

- Spacers can be used in combination with all types of 2 & 3 ways control valves.
- Simple design according to the required flange standards
- Easy Installation - no change to already used installation.

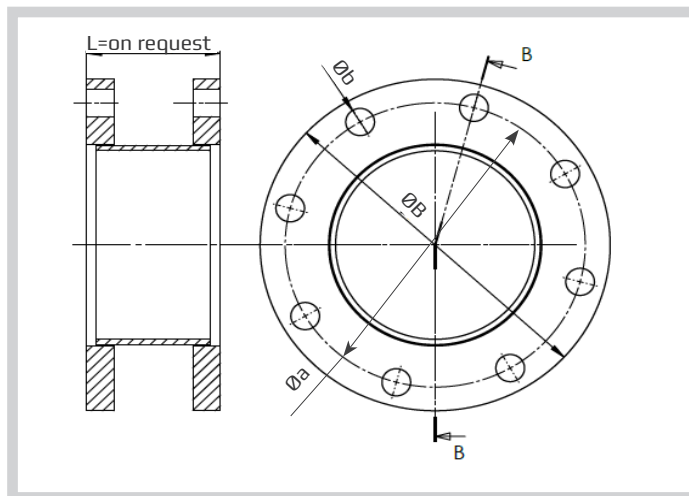


Subject to change without notice.

MACHINED VERSION



WELDED VERSION



Flange connections	EN 1092-2			ANSI Class 150			JIS B 2210 5K			JIS B 2210 10K		
	B (dia.) (mm)	a (dia.) (mm)	b mm dia. (number)	B (dia.) (mm)	a (dia.) (mm)	b mm dia. (number)	B (dia.) (mm)	a (dia.) (mm)	b mm dia. (number)	B (dia.) (mm)	a (dia.) (mm)	b mm dia. (number)
DN100	220	180	19x(8)	230	191	19x(8)	200	165	19x(8)	210	175	19x(8)
DN125	250	210	19x(8)	255	216	22x(8)	235	200	19x(8)	250	210	23x(8)
DN150	285	240	23x(8)	280	241	22x(8)	265	230	19x(8)	280	240	23x(8)
DN200	343	295	22x(8)	343	298	22x(8)	320	280	23x(8)	330	290	23x(12)
DN250	405	350	23x(12)	405	362	25x(12)	385	345	23x(12)	400	355	25x(12)
DN300	455	400	23x(12)	483	432	25x(12)	430	390	23x(12)	445	400	25x(16)
*DN350	505	460	23x(16)	533	476	29x(12)	480	435	25x(12)	490	445	25x(16)
*DN400	565	515	28x(16)	597	540	29x(16)	540	495	25x(16)	560	510	27x(16)
*DN450	620	565	28x(20)	620	578	32x(16)	620	555	25x(16)	620	565	27x(20)

Spacers for DN350, 400, 450 are available on request.

Example



Installation of 3 way control valve GFMT with machined spacers and CAR-H actuator.